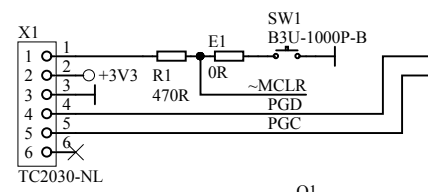


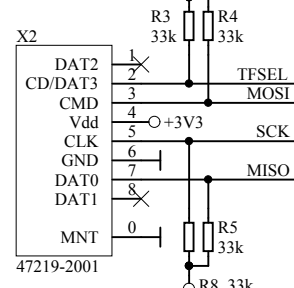
- 10 → +VBAT
- 12 ○ +3V3
- 14 PGD
- 16 LDFW
- 18 D-
- 20 PS2D
- 22 SOUND
- 24 VIDEO
- 26 VSYNC
- 28 |
- 30 ~RTCI
- 32 ✗
- 34 ✗
- 36 ✗
- 38 ✗
- 40 ✗
- 42 P18
- 44 P16
- 46 P14
- 48 P12
- 50 P10
- 52 P8
- 54 P6
- 56 P4
- 58 P2
- 60 P0
- 62 ✗
- 64 ✗
- 66 ✗
- 68 ✗
- 2 ✗
- 4 ✗
- 6 ✗
- 8 ✗
- 11 |
- 13 ~MCLR
- 15 PGC
- 17 VBUS
- 19 D+
- 21 PS2C
- 23 COMP
- 25 HSYNC
- 27 → +VBKP
- 29 FOUT
- 31 ✗
- 33 ✗
- 35 ✗
- 37 ✗
- 39 ✗
- 41 P19
- 43 P17
- 45 P15
- 47 P13
- 49 P11
- 51 P9
- 53 P7
- 55 P5
- 57 P3
- 59 P1
- 61 ✗
- 63 ✗
- 65 ✗
- 67 ✗
- 1 ✗
- 3 ✗
- 5 ✗
- 7 ✗
- 9 PWRON

DTX2-4105C (Maximite-compatible)
(C) Dimitech 2013

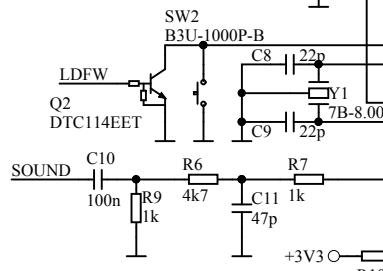
Reset



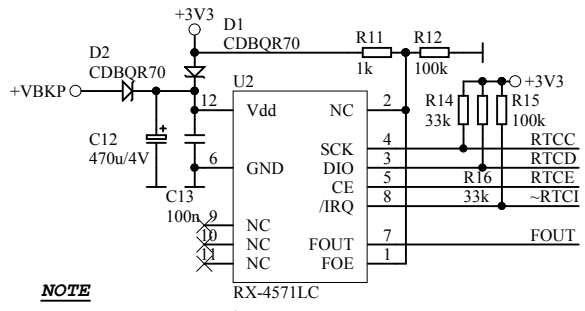
microSD



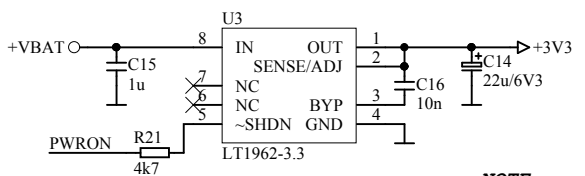
Load Firmware



NOTE
TF write protection and TF card present are not supported



NOTE
Other RX-4xxxLC/8xxxLC can also be used



NOTE
Due to the strict compatibility with the original Maximite support for the RTC can only be done in software

